

INTENDED USE

OE Cross-pieces are fixed radius, 4-way junction pieces in the same plane, with splice connectors on one rail of each junction.

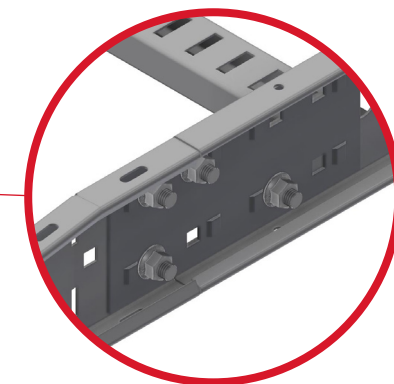
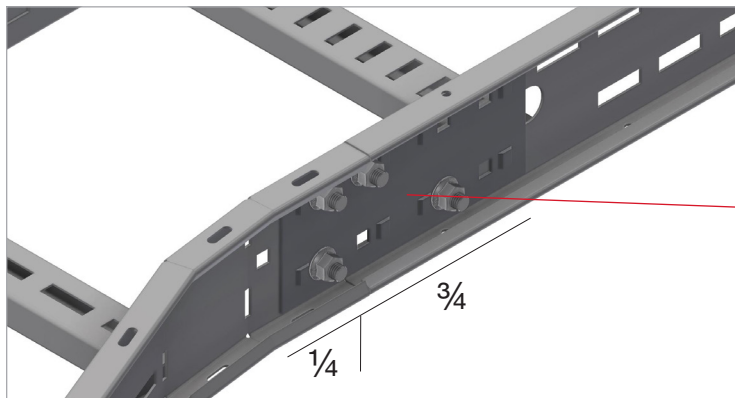
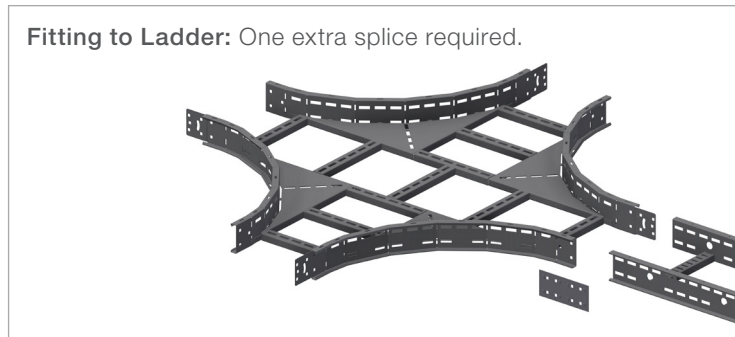
INSTRUCTION FOR USE

Fitting to a ladder:

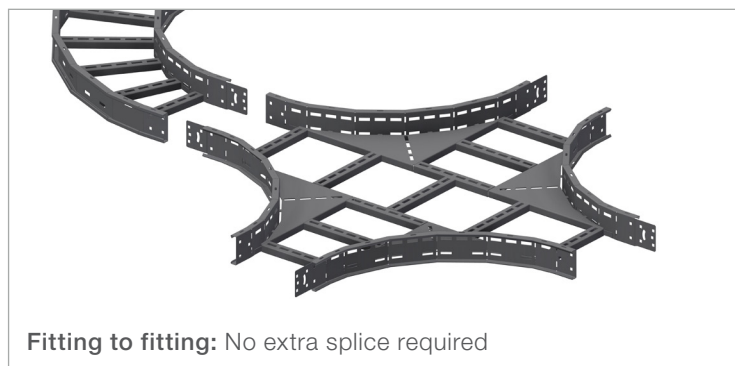
One External Splice connector is required. Attach the splice with $\frac{3}{4}$ of the splice connector on the ladder, and $\frac{1}{4}$ on the fitting. Attach the Cross Piece fitting to the ladder loosely using self locking bolts. Adjust all parts, and tighten securely according to the recommended torque.

Fitting to another formed piece:

When fitting to another formed piece such as OE elbows, Tee-pieces or Cross-pieces, it is not necessary with extra splice connectors. Attach the parts together loosely using self locking bolts. Adjust all parts, and tighten securely.



When attaching a Fitting to a Ladder: Turn the splice so the notches face outwards



User Guide for Bolts:
Recommended Torque