

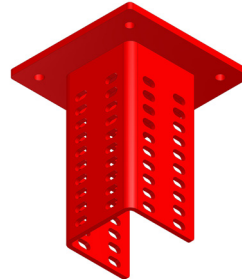
INTENDED USE

Bolted starter brackets for fixing CH100-4 channels. Suitable for direct fixing to structure with M12 bolts, or bolting via a doubling plate. Can be used on ceiling, wall or floor. Can also be bolted to concrete floors using expansion bolts.

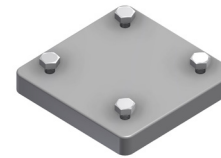
INSTRUCTION FOR USE

Attach to structure using suitably graded bolts. We recommend using Øglænd System metric anti vibration flange nuts. Depending on the type, tighten to the specified torque.

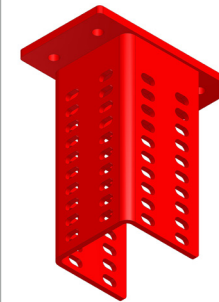
200x200 mm fixing plate.



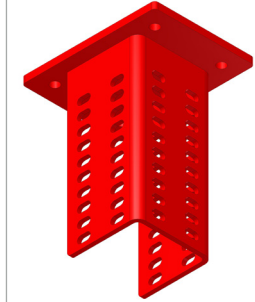
Bolted starters can either be directly fitted to the structure, or fitted to a doubling plate. 200x200 mm plate shown with M10 bolts.



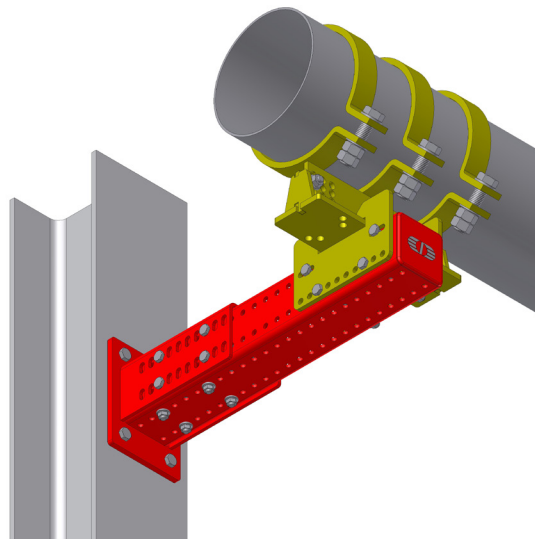
200x120 mm fixing plate.



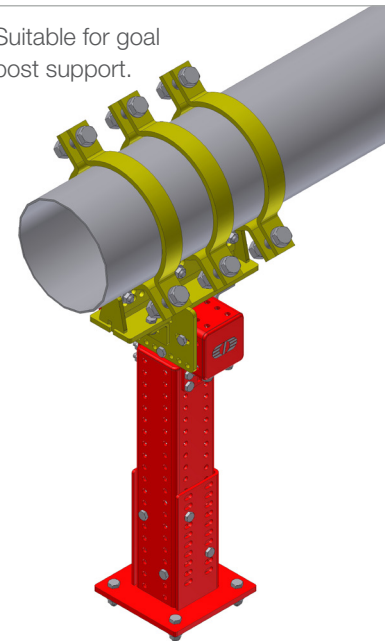
200x150 mm fixing plate.



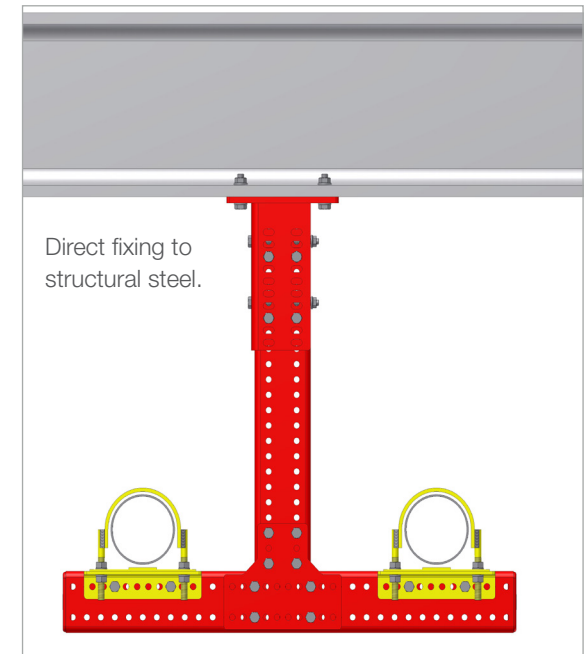
Example showing bolted starter providing cantilever support.



Suitable for goal post support.



Direct fixing to structural steel.



User Guide for Bolts:
Recommended Torque